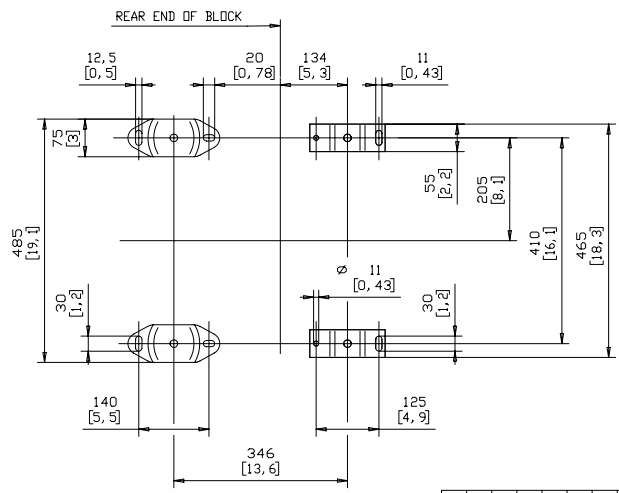
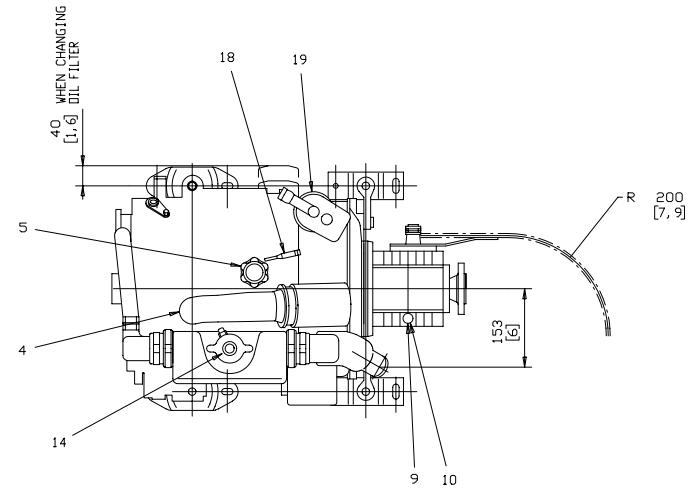


SCALE 1:10



- ① LIFTING DEVICE
- ② Ⓞ CENTRE OF GRAVITY
- ③ EXHAUST ELBOW FOR HOSE I. D 44(1,75)
- ④ AIR FILTER
- ⑤ OIL FILLING
- ⑥ OIL DIPSTICK ENGINE
- ⑦ OIL FILTER
- ⑧ OIL DRAIN (WITH PUMP) ENGINE
- ⑨ OIL DIPSTICK REVERSE GEAR
- ⑩ OIL FILLER CAP REVERSE GEAR
- ⑪ OIL DRAIN REVERSE GEAR
- ⑫ WATER INLET FOR HOSE I. D 19(0,75)
- ⑬ SEA WATER PUMP
- ⑭ WATER FILLER CAP FRESH WATER
- ⑮ HEATWATEROUTLET
- ⑯ HEATWATERINLET
- ⑰ FUEL CONNECTION FOR HOSE I. D 9(3/8)
- ⑱ FUEL RETURN CONNECTION FOR HOSE I. D 9(3/8)
- ⑲ FUEL FILTER
- ⑳ SPEED CONTROL LEVER
- ㉑ CONNECTING BOX FOR EXTENSION CABLE
- ㉒ BATTERY MINUS (-) CONNECTION
- ㉓ PLUS (+) CONNECTION FOR CHARGING DISTRIBUTOR
- ㉔ STARTER BATTERY PLUS (+) CONNECTION

DIMENSION IN MILLIMETRES AND INCHES

3590384		<b>VOLVO PENTA</b>	
DIMENSION DWG			
SCALE	1:5	TYPE	2020-D / MS10L
STAFF	MR	STAFF NO.	981202
DESIGNED		DRAWING NO.	3590384
CHECKED		DATE	
APPROVED		ISSUE	01

