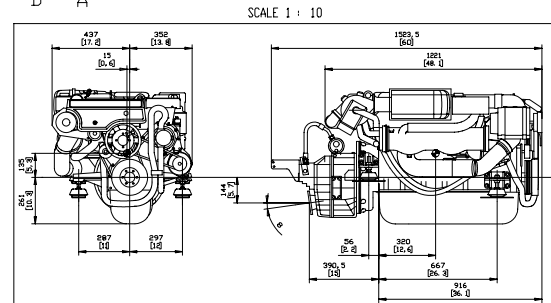
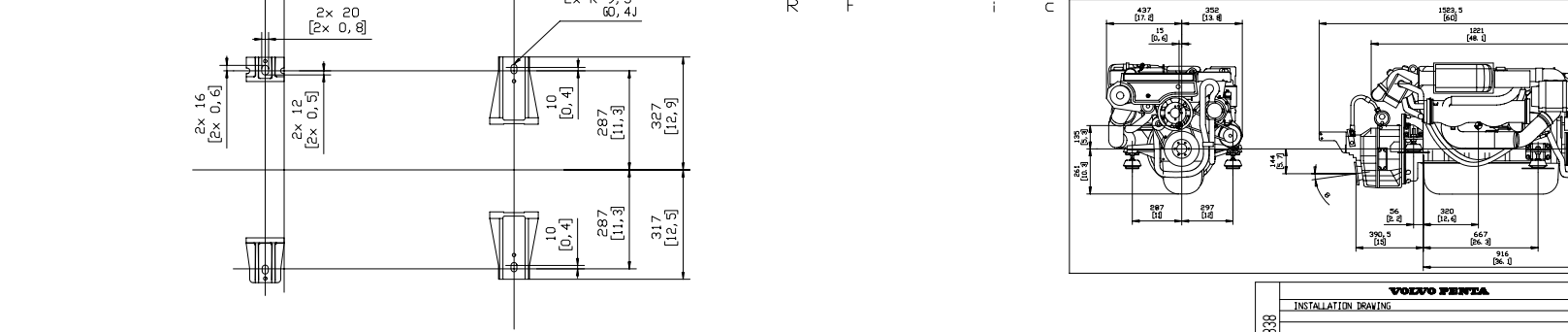
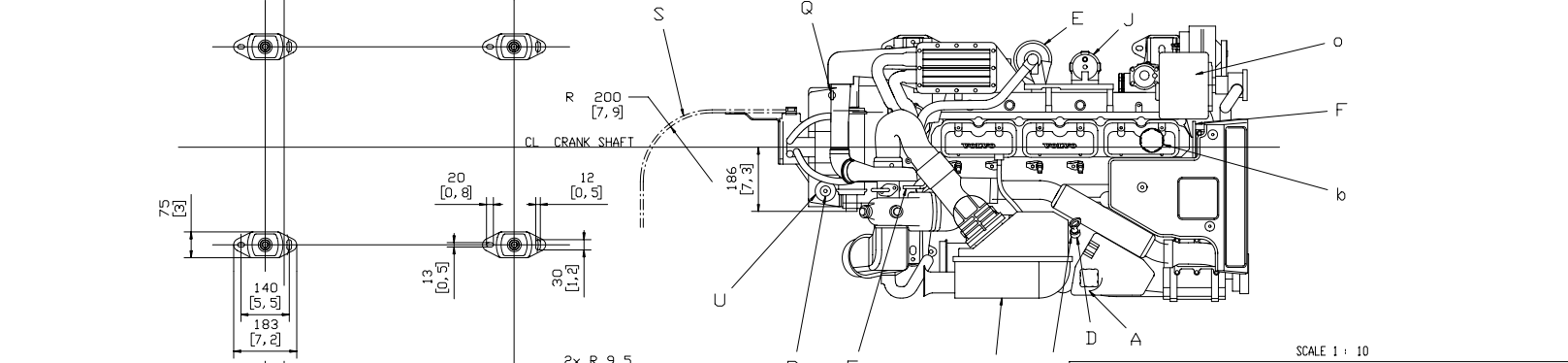
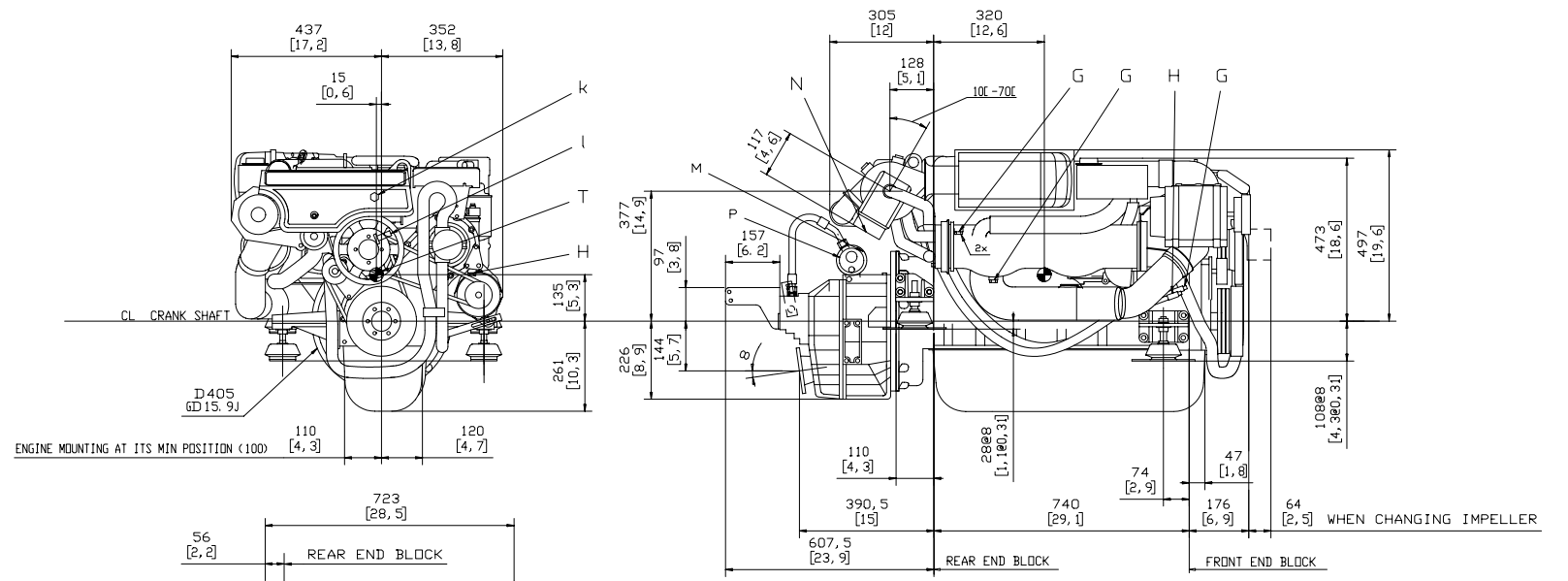
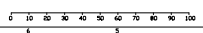


- (A) WATER FILLER CAP FRESH WATER
- (B) OIL FILLER CAP, ENGINE
- (C) OIL DIP STICK, ENGINE
- (D) OIL DRAIN (WITH PUMP), ENGINE
- (E) OIL FILTER
- (F) LIFTING DEVICE
- (G) WATER DRAIN, FRESH WATER
- (H) WATER DRAIN, SEA WATER
- (I) AIR FILTER
- (J) FUEL FILTER
- (K) HEAT WATER OUTLET COMPRESSION SIDE 1/2-14 NPSF
- (L) HEAT WATER OUTLET LOW SIDE 1/2-14 NPSF
- (M) WATER INLET FOR HOSE D 32 G1,25J I.D
- (N) WATER COLED EXHAUST PIPE D 89 G3,5J I.D
- (P) CONNECTION BOX
- (Q) DILCOOLER, REVERSE GEAR
- (R) OIL DIPSTICK, REVERSING GEAR
- (S) OIL SUCTION FILTER REVERSING GEAR
- (T) GEAR CONTROL CABLE
- (U) CENTRE OF GRAVITY
- (V) OIL DRAIN REVERSING GEAR (WITH PUMP)



DIMENSION IN MILLIMETRES AND INCHES



VOLVO PENTA			
INSTALLATION DRAWING			
3590338			
NO.	REV.	DATE	BY
1	1	5	PC
2	1	5	PC
3	1	5	PC
4	1	5	PC
5	1	5	PC
6	1	5	PC
7	1	5	PC
8	1	5	PC
9	1	5	PC
10	1	5	PC
11	1	5	PC
12	1	5	PC
13	1	5	PC
14	1	5	PC
15	1	5	PC
16	1	5	PC
17	1	5	PC
18	1	5	PC
19	1	5	PC
20	1	5	PC
21	1	5	PC
22	1	5	PC
23	1	5	PC
24	1	5	PC
25	1	5	PC
26	1	5	PC
27	1	5	PC
28	1	5	PC
29	1	5	PC
30	1	5	PC
31	1	5	PC
32	1	5	PC
33	1	5	PC
34	1	5	PC
35	1	5	PC
36	1	5	PC
37	1	5	PC
38	1	5	PC
39	1	5	PC
40	1	5	PC
41	1	5	PC
42	1	5	PC
43	1	5	PC
44	1	5	PC
45	1	5	PC
46	1	5	PC
47	1	5	PC
48	1	5	PC
49	1	5	PC
50	1	5	PC
51	1	5	PC
52	1	5	PC
53	1	5	PC
54	1	5	PC
55	1	5	PC
56	1	5	PC
57	1	5	PC
58	1	5	PC
59	1	5	PC
60	1	5	PC
61	1	5	PC
62	1	5	PC
63	1	5	PC
64	1	5	PC
65	1	5	PC
66	1	5	PC
67	1	5	PC
68	1	5	PC
69	1	5	PC
70	1	5	PC
71	1	5	PC
72	1	5	PC
73	1	5	PC
74	1	5	PC
75	1	5	PC
76	1	5	PC
77	1	5	PC
78	1	5	PC
79	1	5	PC
80	1	5	PC
81	1	5	PC
82	1	5	PC
83	1	5	PC
84	1	5	PC
85	1	5	PC
86	1	5	PC
87	1	5	PC
88	1	5	PC
89	1	5	PC
90	1	5	PC
91	1	5	PC
92	1	5	PC
93	1	5	PC
94	1	5	PC
95	1	5	PC
96	1	5	PC
97	1	5	PC
98	1	5	PC
99	1	5	PC
100	1	5	PC