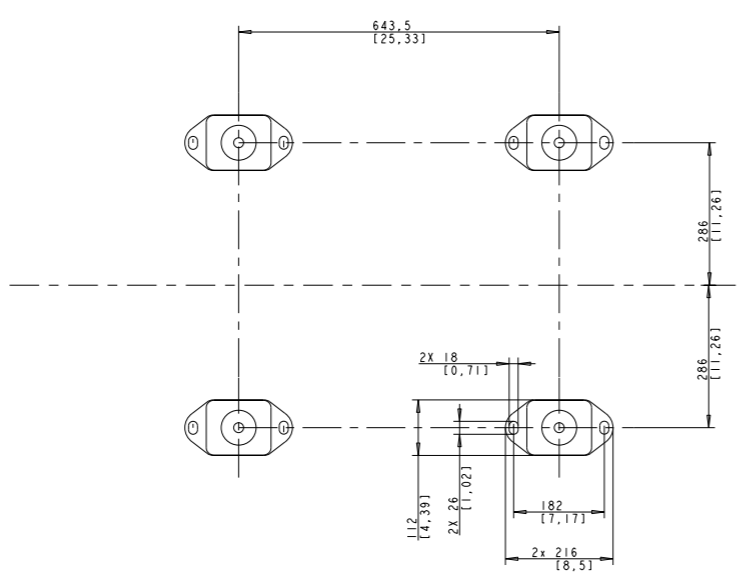
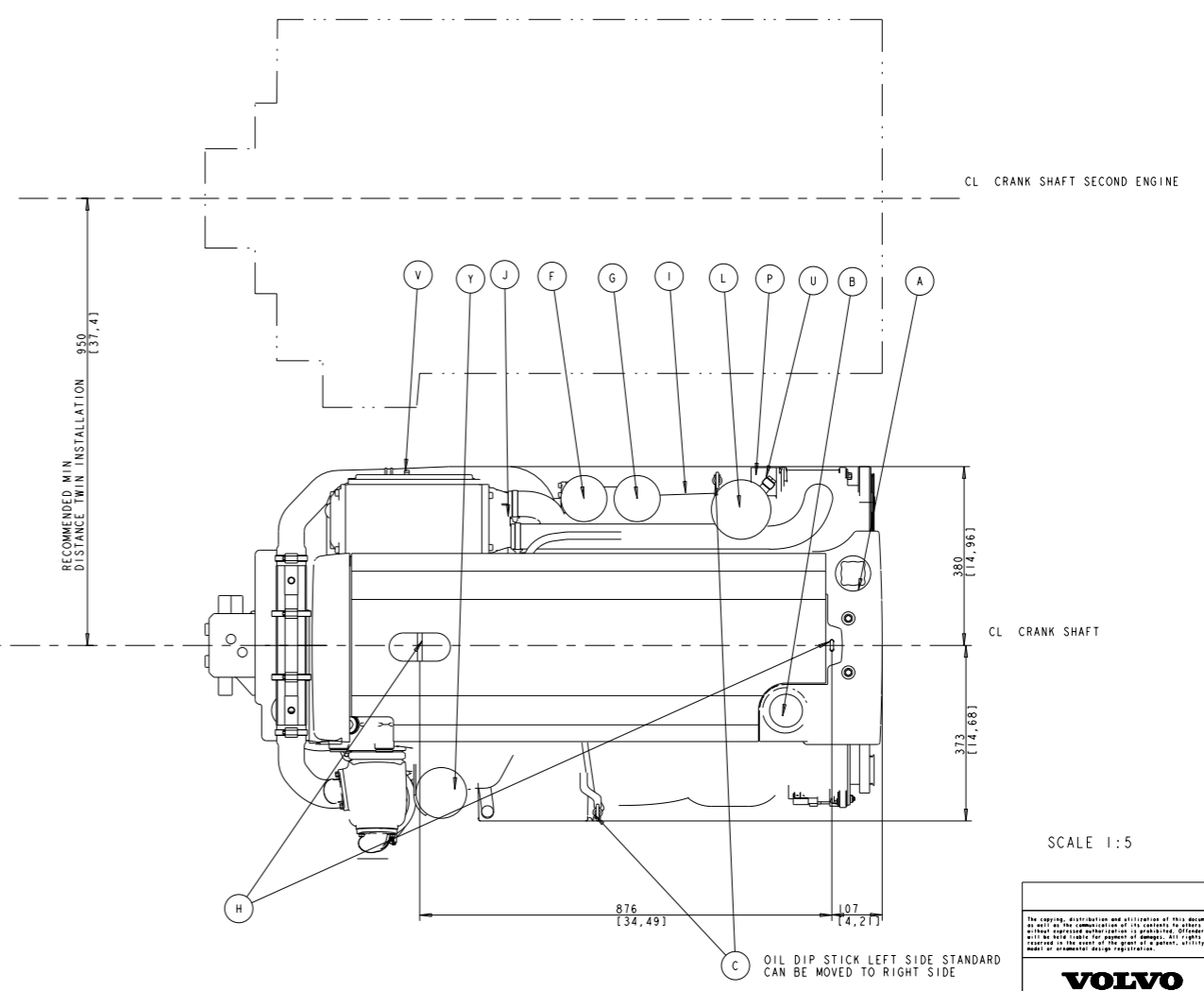
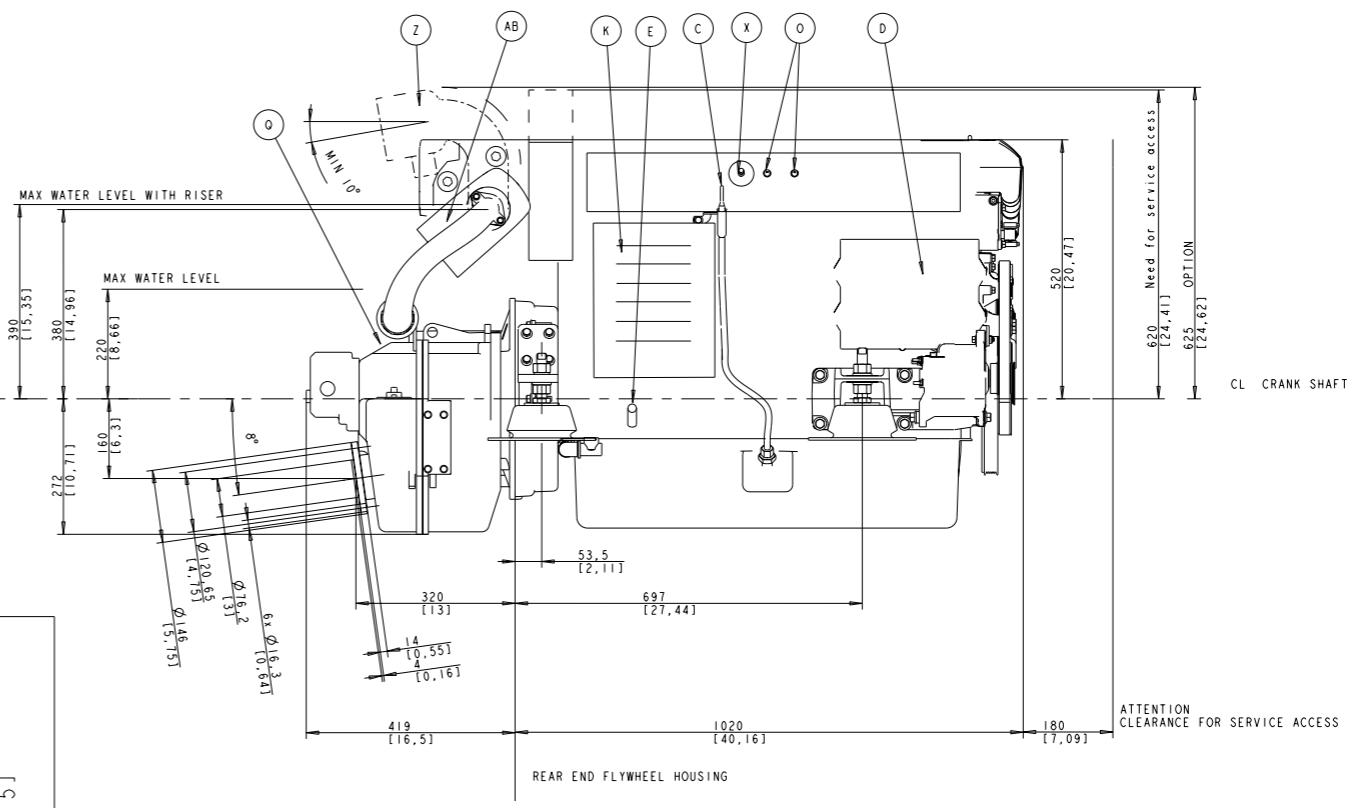
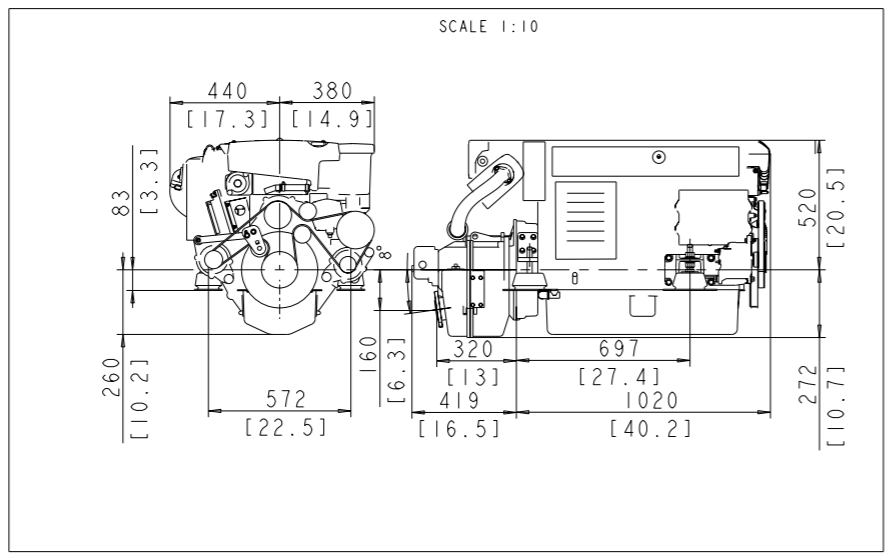
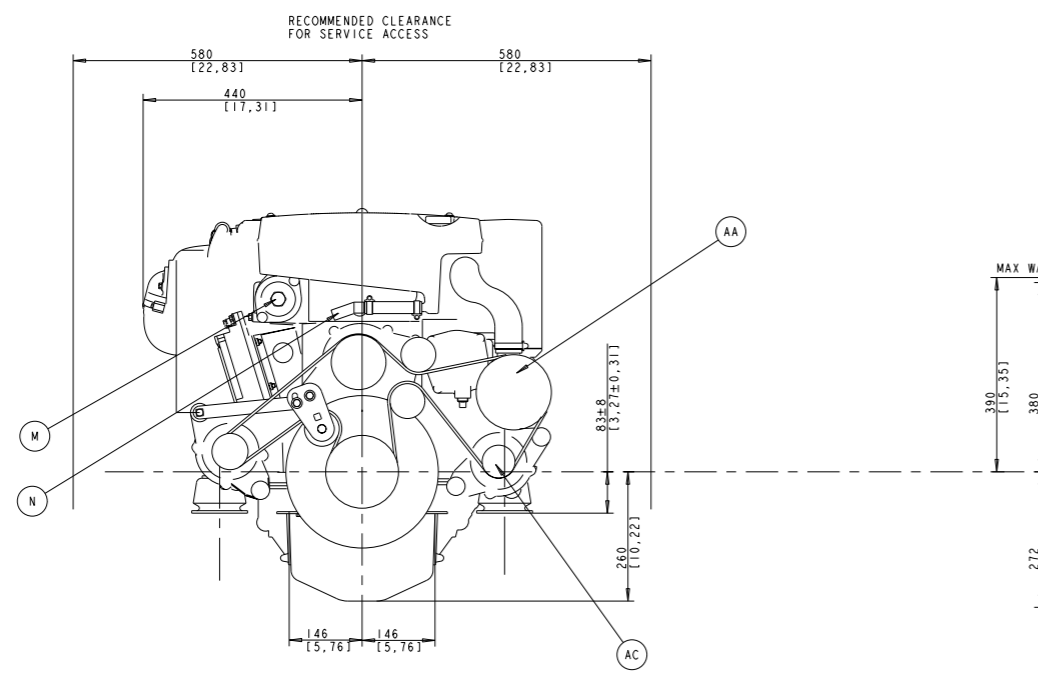


- (A) WATER FILLER CAP, FRESH WATER
- (B) OIL FILLER CAP, ENGINE
- (C) OIL DIP STICK, ENGINE LEFT OR RIGHT SIDE MOUNTED
- (D) ECU CONTROL UNIT
- (E) OIL DRAIN PIPE, ENGINE Ø12.5
- (F) OIL FILTER MAIN
- (G) OIL FILTER BYPASS
- (H) LIFTING EYE
- (I) WATER DRAIN, FRESH WATER
- (J) WATER DRAIN, SEA WATER
- (K) AIR FILTER
- (L) FUEL FILTER
- (M) HOT WATER OUTLET Ø16
- (N) HOT WATER INLET Ø16
- (O) ELECTRICAL FUSES (ONLY 24V)
- (P) SEA WATER INLET Ø50
- (Q) OIL DIP STICK REVERSE GEAR
- (R) CENTRE OF GRAVITY
- (S) WATER INLET
- (T) OIL DRAIN REVERSE GEAR
- (U) FUEL INLET CONNECTION
- (V) FUEL RETURN TO TANK
- (X) ENGINE STOP
- (Y) CRANK CASE VENTILATION
- (Z) EXHAUST RISER Ø127 (5") (OPTION)
- (AA) SEA WATER PUMP
- (AB) EXHAUST ELBOW Ø127 (5")
- (AC) EXTRA ALTERNATOR



SCALE 1:5

SYMBOLS, DESIGNATIONS AND GENERAL DRAWING METHODS STD 5023:501			
The copying, distribution and utilization of this document as well as the communication of its contents to other persons without the express written permission of the Volvo Pentia Group is prohibited. Offenders will be held liable for the payment of damages. All rights reserved to the extent of the grant of patent, utility model or ornamental design registration.		Document title D6 / HS80A	
Document type Dimension Drawing		Document number 3590986	
Issue index 01		Sheet No. 1111	

