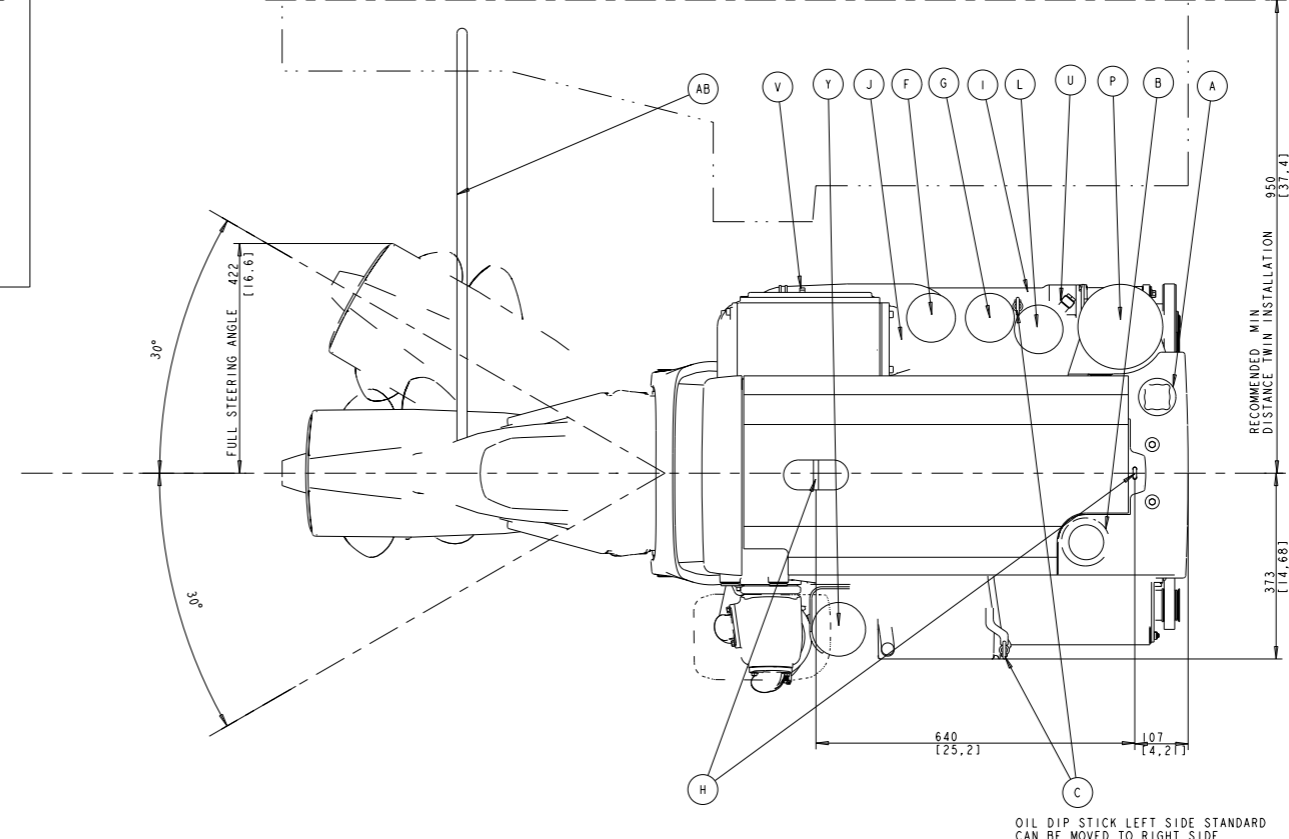
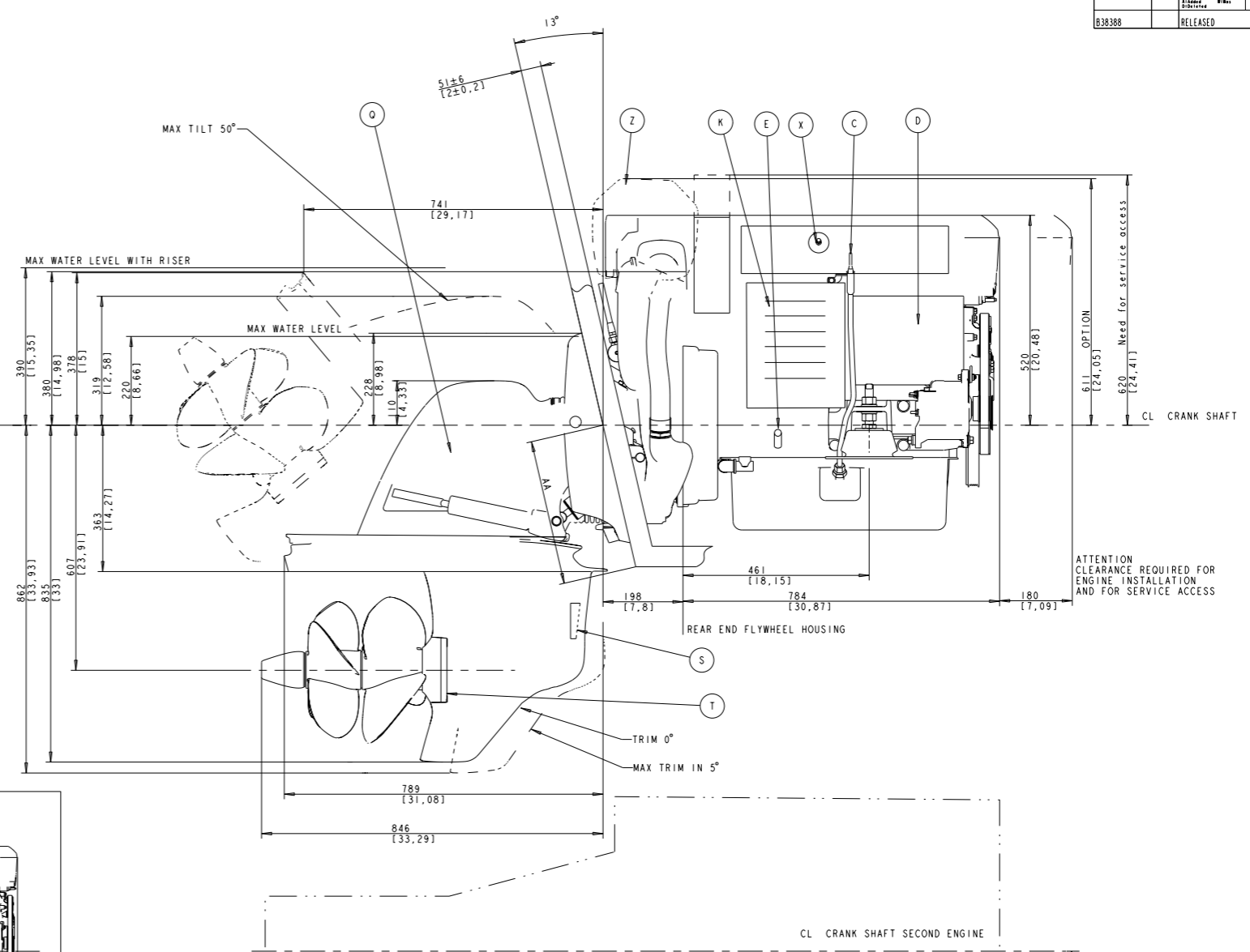
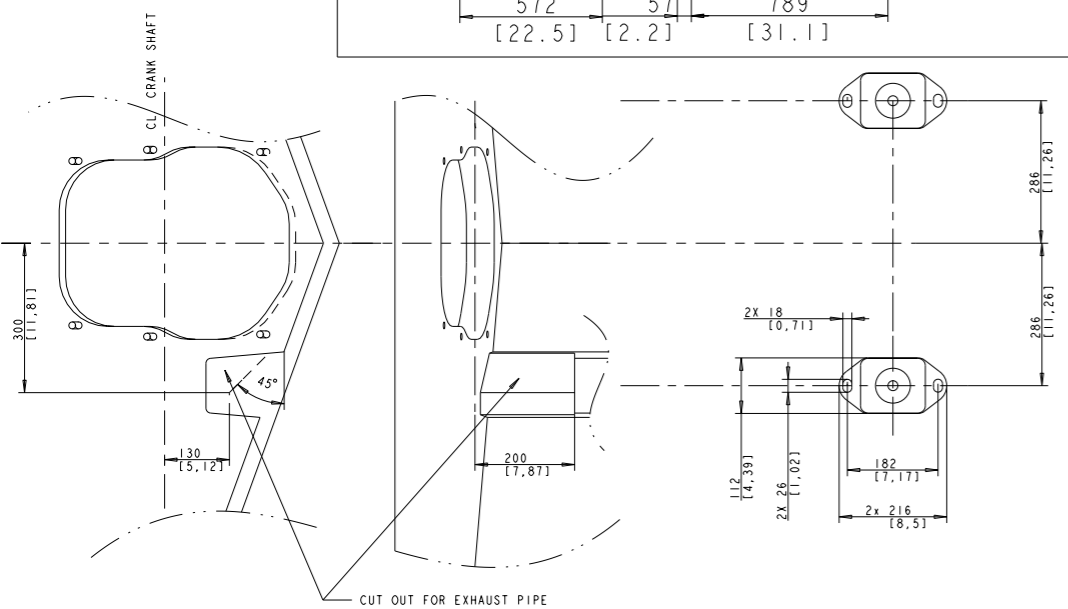
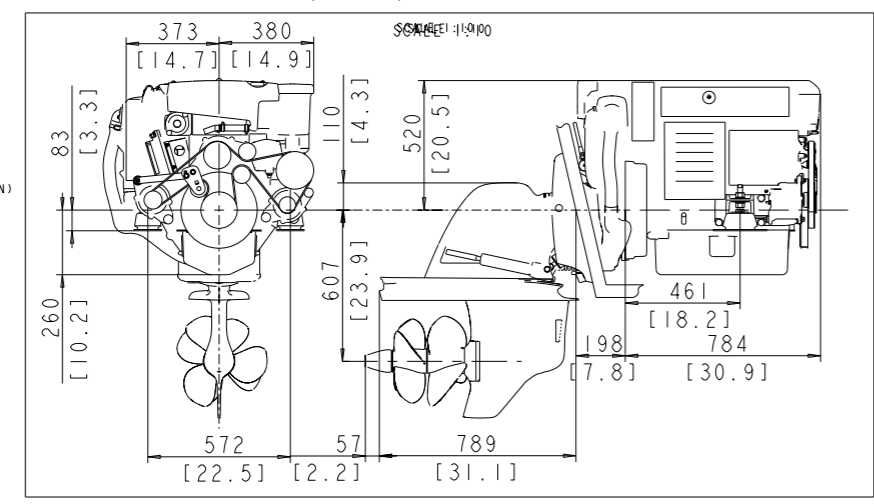
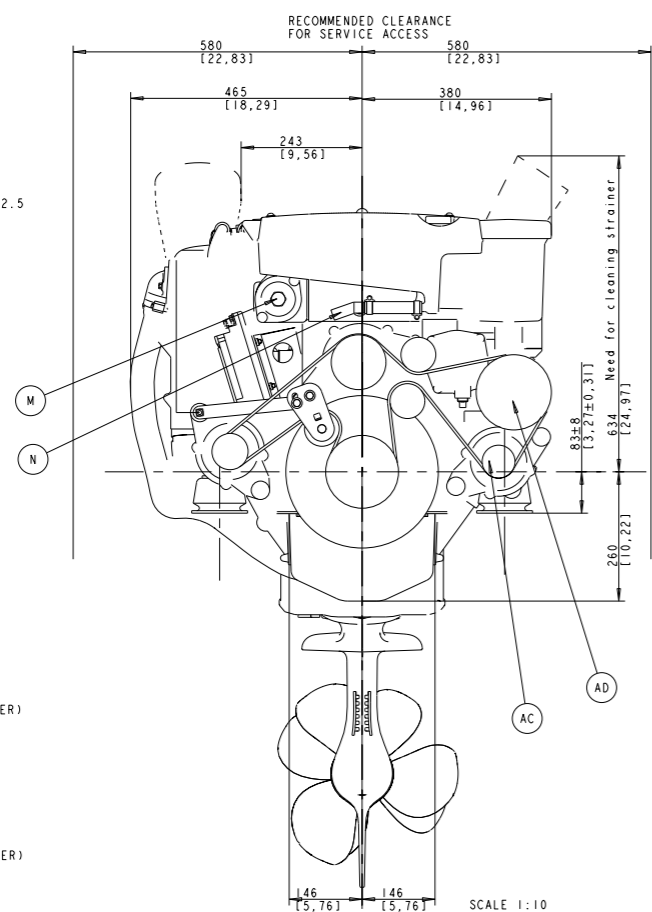


- (A) WATER FILLER CAP, FRESH WATER
- (B) OIL FILLER CAP, ENGINE
- (C) OIL DIP STICK, ENGINE LEFT OR RIGHT SIDE MOUNTED
- (D) ECU CONTROL UNIT
- (E) OIL DRAIN (WITH PIPE), ENGINE Ø12.5
- (F) OIL FILTER MAIN
- (G) OIL FILTER BYPASS
- (H) LIFTING EYE
- (I) WATER DRAIN, FRESH WATER
- (J) WATER DRAIN, SEA WATER
- (K) AIR FILTER
- (L) FUEL FILTER
- (M) HOT WATER OUTLET Ø16
- (N) HOT WATER INLET Ø16
- (P) STRAINER SEA WATER
- (Q) OIL DIP STICK DRIVE (UNDER COVER)
- (R) CENTRE OF GRAVITY
- (S) WATER INLET DRIVE
- (T) OIL DRAIN DRIVE (BEHIND ADAPTER)
- (U) FUEL INLET CONNECTION Ø10
- (V) FUEL RETURN TO TANK Ø10
- (X) ENGINE STOP
- (Y) CRANK CASE VENTILATION
- (Z) EXHAUST RISER Ø102 (4") (OPTION)
- (AA) X-MESUREMENT SEE 7742299-6
- (AB) TIE BAR (TWIN INSTALLATION)
- (AC) EXTRA ALTERNATOR (OPTION)
- (AD) SEA WATER PUMP



SCALE 1:5

The copying, distribution and utilization of this document as well as the commission of its contents to other persons without the express written permission of the copyright holder is prohibited. Offenders will be held liable for the payment of damages. All rights reserved to the extent of the applicable patent, utility mark or trademark registration.		SYMBOLS, DESIGNATIONS AND GENERAL DRAWING METHODS STD 5023:501
VOLVO PENTA		DIMENSION DRAWING D4 / AG-DRIVE
Document No: 3590985	Issue Index: 01	Sheet No: 1111