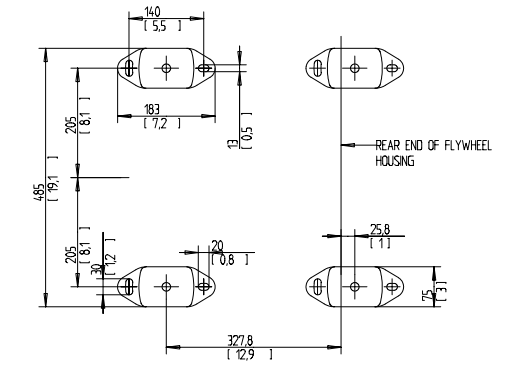
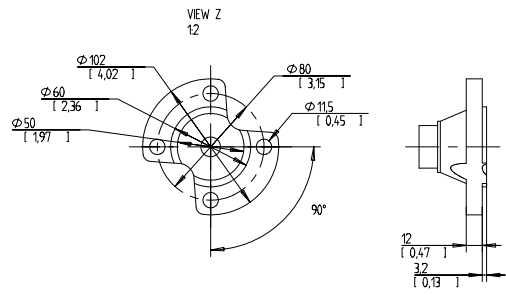
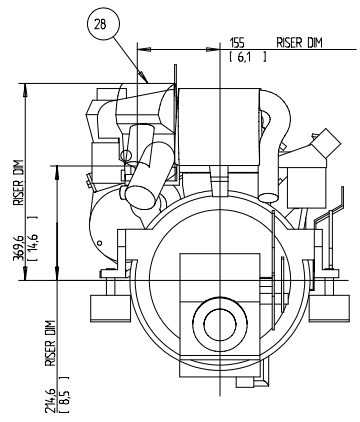
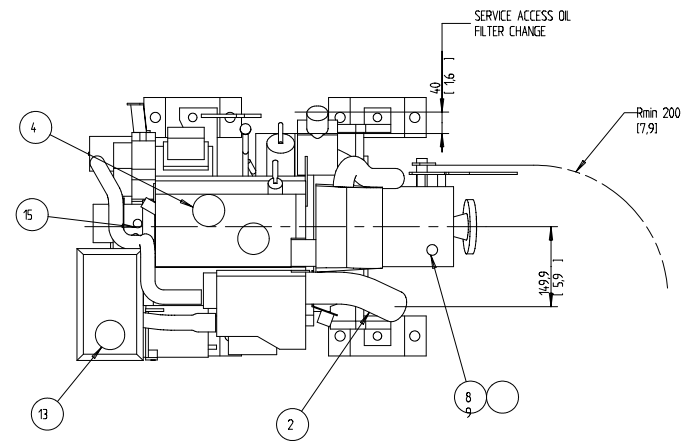
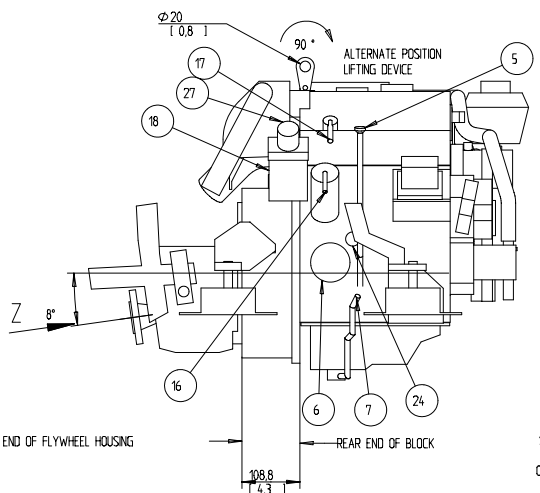
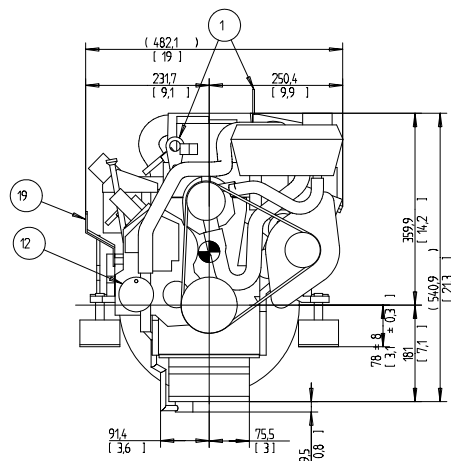
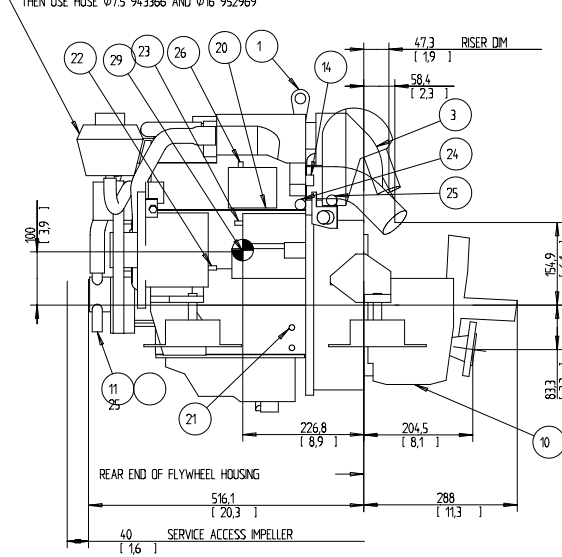


EXPANSION TANK CAN BE BULK HEAD MOUNTED  
THEN USE HOSE Ø75 943366 AND Ø16 952969



SCALE 1:5  
OIL CAPACITY INCLUDING OIL FILTER: 35 LITERS  
FRESHWATER SYSTEM CAPACITY: 4.1 LITERS  
WEIGHTS:  
DRY 137 kg  
OIL & WATER 144 kg

DIMENSION IN MILLIMETRES AND (INCHES)

NR	ITEM
1	LIFTING DEVICE
2	EXHAUST ELBOW FOR HOSE ID 45(1.75)
3	AIR FILTER (SILENCER)
4	OIL FILLING
5	OIL DIPSTICK ENGINE
6	OIL FILTER
7	OIL DRAIN (WITH PUMP) ENGINE ID 8 (0.35)
8	OIL DIPSTICK REVERSE GEAR
9	OIL FILLER CAP REVERSE GEAR
10	OIL DRAIN REVERSE GEAR
11	SEAWATER INLET FOR HOSE ID 19(0.75)
12	SEA WATER PUMP
13	WATER FILLER CAP FRESH WATER
14	HOTWATER OUTLET
15	HOTWATER INLET
16	FUEL CONNECTION FOR HOSE ID 10 (3/8)
17	FUEL RETURN CONNECTION FOR HOSE ID 10 (3/8)
18	FUEL FILTER
19	SPEED CONTROL LEVER
20	CONNECTION BOX FOR EXTENSION CABLE
21	BATTERY MINUS (-) CONNECTION
22	PLUS (+) CONNECTION FOR CHARGING DISTRIBUTOR
23	STARTER BATTERY PLUS (+) CONNECTION
24	WATER DRAIN FRESH WATER
25	WATER DRAIN SEAWATER
26	AUTOMATIC FUSE RESET
27	HAND PRIMER PUMP
28	RISER (OPTIONAL)
29	CENTRE OF GRAVITY

©VOLVO DIESEL/DAVID BROWN  
DRAWING METHOD STD 00-5005  
AND STD 502560

The copyright and utilization of the enclosed  
as well as the reproduction of its contents is strictly  
reserved for the original purchaser of this drawing. All rights  
are reserved for the manufacturer. No part of this drawing may  
be reproduced or transmitted in any form or by any means  
electronic or mechanical, including photocopying, recording,  
or by any information storage and retrieval system, without  
written permission from the manufacturer.

ENGINE DIMENSIONS  
D1-30/MS10A

Document type  
DIMENSION DRAWING

Document no  
3591410

Sheet no  
101

Scale 1:5

Sheet to

Sheet of

101



RELEASED