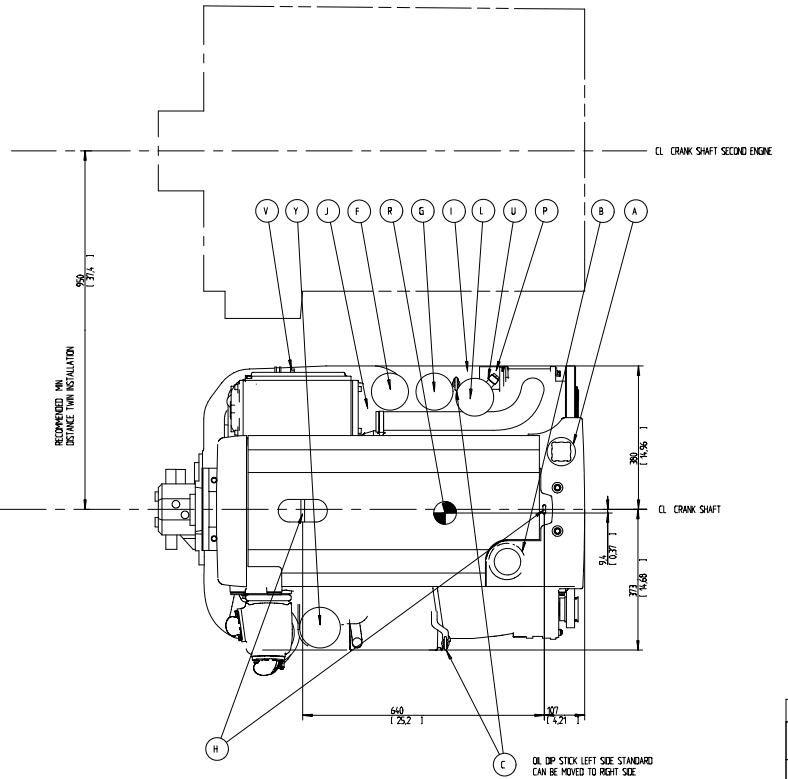
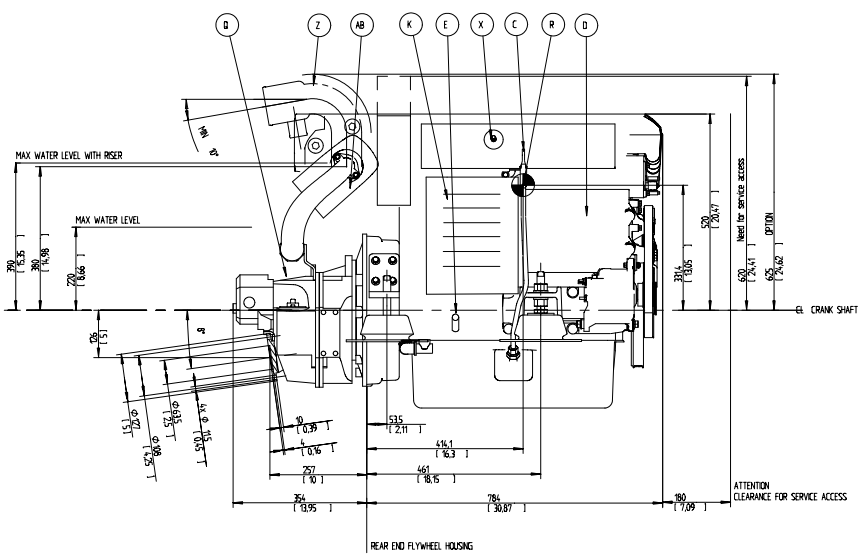
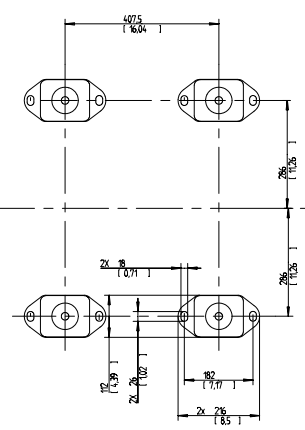
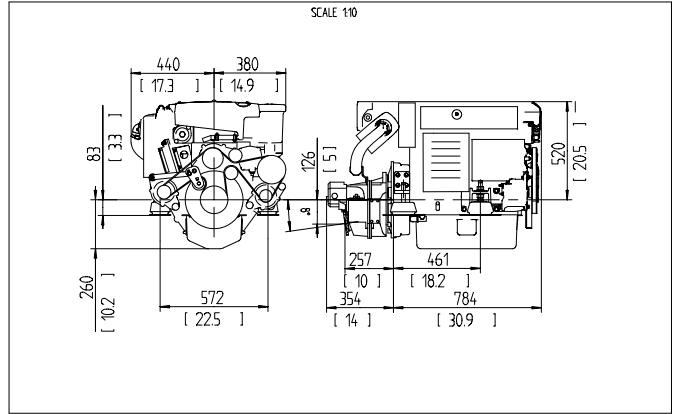
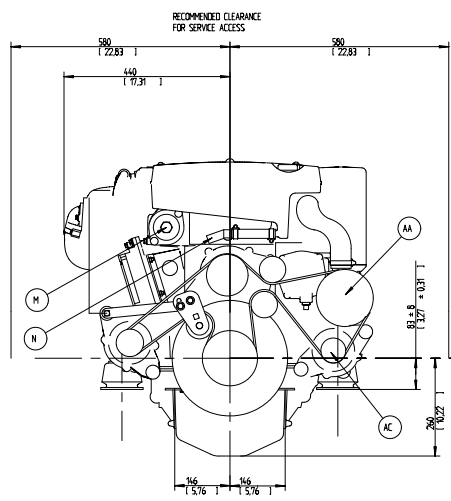


- (A) WATER FILLER CAP, FRESH WATER
- (B) OIL FILLER CAP, ENGINE
- (C) OIL DIP STICK, ENGINE LEFT OR RIGHT SIDE MOUNTED
- (D) ECU CONTROL UNIT
- (E) OIL DRAIN (WITH PUMP, ENGINE Ø125)
- (F) OIL FILTER MAIN
- (G) OIL FILTER BYPASS
- (H) LIFTING EYE
- (I) WATER DRAIN, FRESH WATER
- (J) WATER DRAIN, SEA WATER
- (K) AIR FILTER
- (L) FUEL FILTER
- (M) HOT WATER OUTLET
- (N) HOT WATER INLET
- (P) SEA WATER INLET Ø38
- (Q) OIL DIP STICK REVERSE GEAR
- (R) CENTRE OF GRAVITY
- (S) WATER INLET
- (T) OIL DRAIN REVERSE GEAR
- (U) FUEL INLET CONNECTION
- (V) FUEL RETURN TO TANK
- (X) ENGINE STOP
- (Y) CRANK CASE VENTILATION
- (Z) EXHAUST RISER Ø 102 (47) OPTION
- (AA) SEA WATER PUMP
- (AB) EXHAUST ELBOW Ø102 (47)
- (AC) EXTRA ALTERNATOR



SCALE 15

<p>SMALL DIMENSIONS AND SPACING SHOULD BE TO THE DIMENSIONS INDICATED</p> <p>ENGINE DIMENSIONS D4 / 655A</p> <p>Drawn by: DIMENSION DRAWING</p> <p>Part number: 3591350</p>		
<p>VOILVO PENTA</p>		<p>113</p>