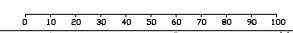
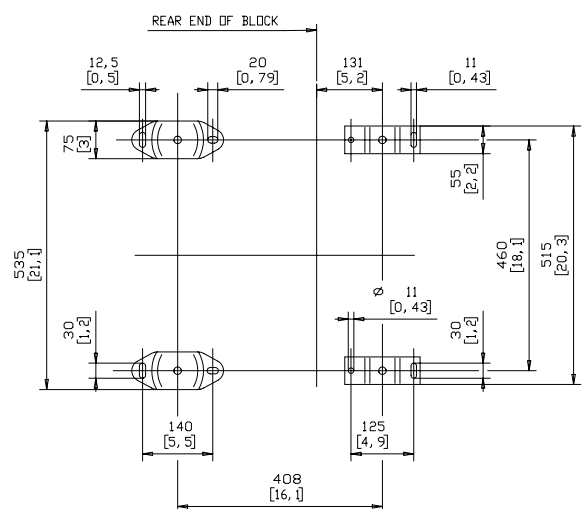
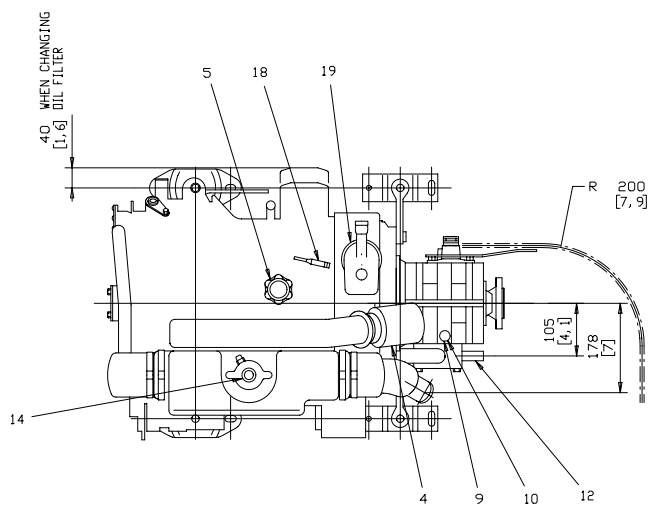


- ① LIFTING DEVICE
- ② ● CENTRE OF GRAVITY
- ③ EXHAUST ELBOW FOR HOSE I. D 44(1,75)
- ④ AIR FILTER
- ⑤ OIL FILLING
- ⑥ OIL DIPSTICK ENGINE
- ⑦ OIL FILTER
- ⑧ OIL DRAIN (WITH PUMP) ENGINE
- ⑨ OIL DIPSTICK REVERSE GEAR
- ⑩ OIL FILLER CAP REVERSE GEAR
- ⑪ OIL DRAIN REVERSE GEAR
- ⑫ WATER INLET FOR HOSE I. D 19(0,75)
- ⑬ SEA WATER PUMP
- ⑭ WATER FILLER CAP FRESH WATER
- ⑮ HEATWATEROUTLET
- ⑯ HEATWATERINLET
- ⑰ FUEL CONNECTION FOR HOSE I. D 9(3/8)
- ⑱ FUEL RETURN CONNECTION FOR HOSE I. D 9(3/8)
- ⑲ FUEL FILTER
- ⑳ SPEED CONTROL LEVER
- ㉑ CONNECTING BOX FOR EXTENSION CABLE
- ㉒ BATTERY MINUS (-) CONNECTION
- ㉓ PLUS (+) CONNECTION FOR CHARGING DISTRIBUTOR
- ㉔ STARTER BATTERY PLUS (+) CONNECTION

DIMENSION IN MILLIMETRES AND INCHES



| | | | | | |
|--------------------|-----|--------|----------------|-------------|------|
| VOLVO PENTA | | | | | |
| DIMENSION DWG | | | | | |
| 3590389 | | | | | |
| SCALE | 1:5 | TYPE | 2040-D / MS15L | | |
| DATE | MR | 990505 | STY. NO. | DRAWING NO. | |
| DESIGNED | | | 3590389 | | 1/03 |
| CHECKED | | | | | 01 |
| APPROVED | | | | | 01 |