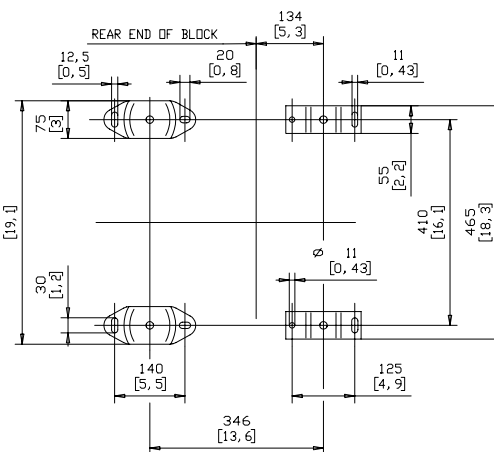
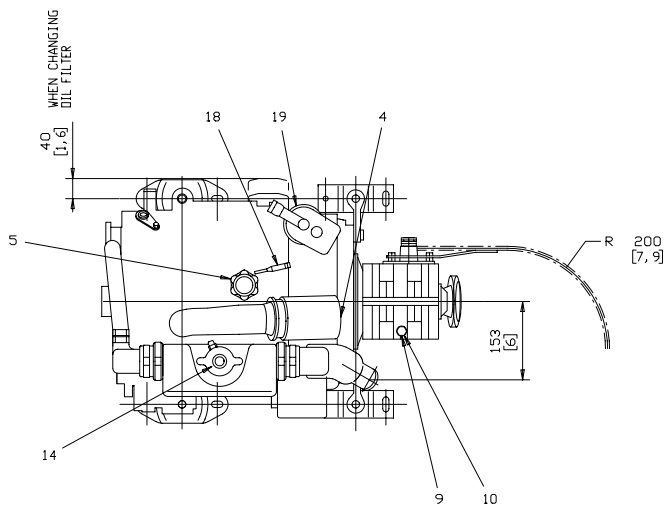


- ① LIFTING DEVICE
- ② ● CENTRE OF GRAVITY
- ③ EXHAUST ELBOW FOR HOSE I. D 44(1,75)
- ④ AIR FILTER
- ⑤ OIL FILLING
- ⑥ OIL DIPSTICK ENGINE
- ⑦ OIL FILTER
- ⑧ OIL DRAIN (WITH PUMP) ENGINE
- ⑨ OIL DIPSTICK REVERSE GEAR
- ⑩ OIL FILLER CAP REVERSE GEAR
- ⑪ OIL DRAIN REVERSE GEAR
- ⑫ WATER INLET FOR HOSE I. D 19(0,75)
- ⑬ SEA WATER PUMP
- ⑭ WATER FILLER CAP FRESH WATER
- ⑮ HEAT WATER OUTLET
- ⑯ HEAT WATER INLET
- ⑰ FUEL CONNECTION FOR HOSE I. D 9(3/8)
- ⑱ FUEL RETURN CONNECTION FOR HOSE I. D 9(3/8)
- ⑲ FUEL FILTER
- ⑳ SPEED CONTROL LEVER
- ㉑ CONNECTING BOX FOR EXTENSION CABLE
- ㉒ BATTERY MINUS (-) CONNECTION
- ㉓ PLUS (+) CONNECTION FOR CHARGING DISTRIBUTOR
- ㉔ STARTER BATTERY PLUS (+) CONNECTION

DIMENSION IN MILLIMETRES AND INCHES



3590387		VOLVO PENTA	
DIMENSION DRAWING			
SCALE	1:5	TYPE	2020-D / MS10A
DESIGN	MR	REF. NO.	990509
APPROVED		DRAWING NO.	3590387
			01