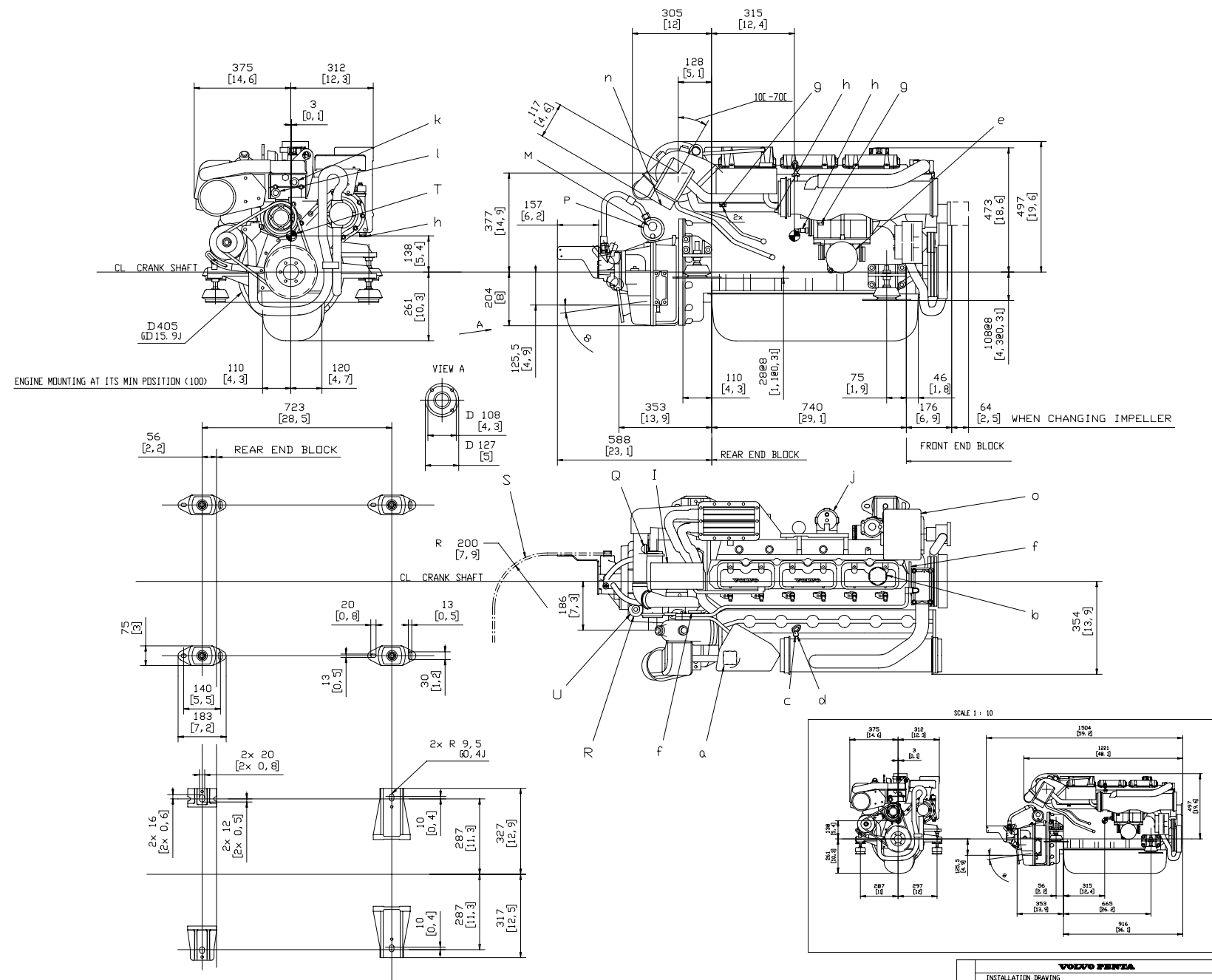


- (A) WATER FILLER CAP FRESH WATER
- (B) OIL FILLER CAP, ENGINE
- (C) OIL DIP STICK, ENGINE
- (D) OIL DRAIN (WITH PUMP), ENGINE
- (E) OIL FILTER
- (F) LIFTING DEVICE
- (G) WATER DRAIN, FRESH WATER
- (H) WATER DRAIN, SEA WATER
- (I) AIR FILTER
- (J) FUEL FILTER
- (K) HEAT WATER OUTLET COMPRESSION SIDE 1/2-14 NPSF
- (L) HEAT WATER OUTLET LOW SIDE 1/2-14 NPSF
- (M) WATER INLET FOR HOSE D 32 G, 25J I.D
- (N) WATER COLED EXHAUST PIPE D 89 G, 5J I.D
- (O) CONNECTION BOX
- (P) OILCOOLER, REVERSE GEAR
- (Q) OIL DIPSTICK, REVERSING GEAR
- (R) OIL SUCTION FILTER REVERSING GEAR
- (S) GEAR CONTROL CABLE
- (T) CENTRE OF GRAVITY
- (U) OIL DRAIN REVERSING GEAR (WITH PUMP)



VOLVO PENTA			
INSTALLATION DRAWING			
NO.	REV.	DATE	BY
1	1		
DRAWN BY		REV	DATE
CHECKED BY		REV	DATE
APPROVED BY		REV	DATE
PART NO.		3590335	
TYPE		TAMD41H/ M/ P-HS45A	
SCALE		1:1	
SHEET NO.		02	

